

Standard executions		
Version	Symbol	Type
Magnetic		CD
Magnetic anti-rotating from bore 16 mm.		CDN



On request, they can be supplied according to 2014/34/EU - ATEX

Options	Suffix
Through rod	P
Seals FKM -20°C ÷ +150°C	V
Piston rod with male thread	M
Special versions on request	/ S

The options can be combined (when this is possible).
(when this is possible)

On request this series of cylinders can also be supplied with the mounting hole dimensions conforming to ISO 6431 standards, from bore 32 to 100 mm: type CDI, CDNI.

For accessories see from page 1.97.1.

Series of compact cylinders conforming to European UNITOP standards.

The new design barrel has grooves allowing the mounting of the magnetic reed switch directly onto the barrel itself without further brackets; this allows the magnetic sensor not to protrude beyond the profile of the barrel.

Elastic cushioning are mounted on the piston.

Only in the version with magnetic piston.

One or more magnetic sensors can be applied to.

For the magnetic reed switches type ASV see from page 1.110.1

For mounting accessories see from page 1.100.1.

For rod accessories see from page 1.85.1.

How to order: 50 / 100 CDNP

50	/	100	CDN	P
Bore	/	Stroke	Type	Option

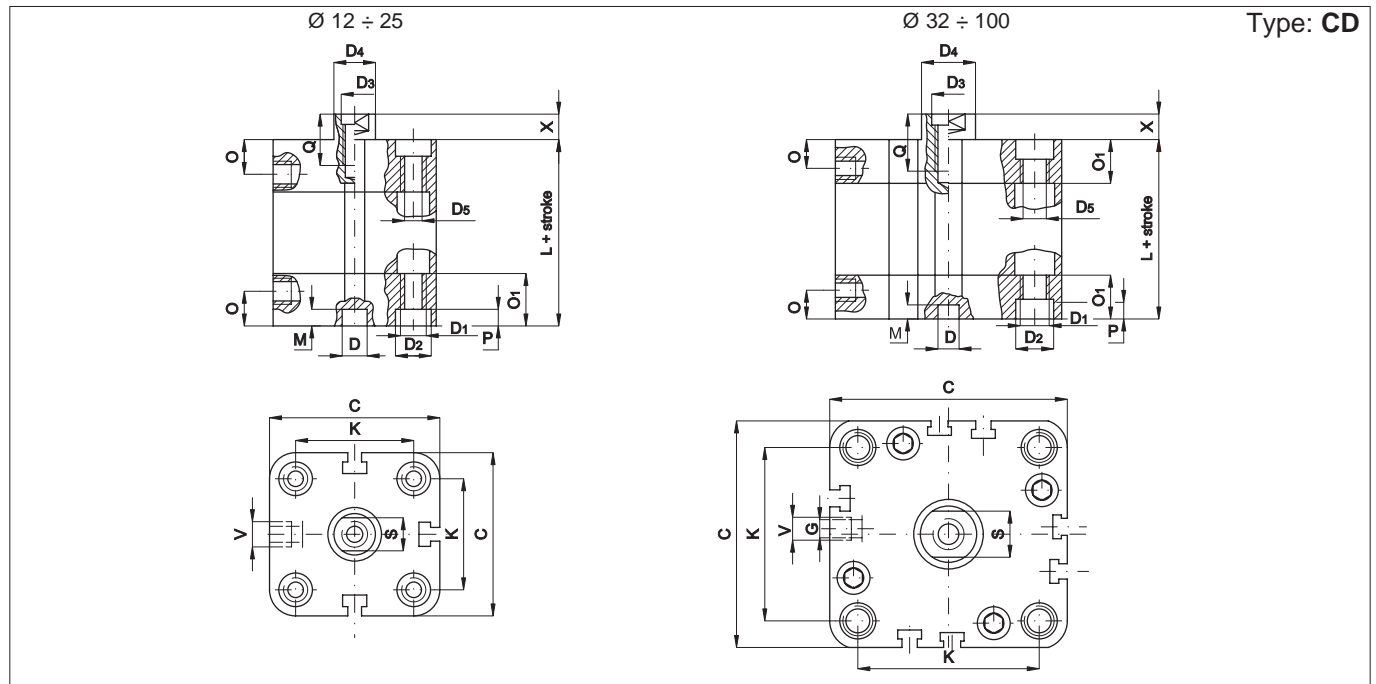
Technical data		
Fluid	Compressed filtered air with or without lubrication. Lubrication, if started, must be continued.	
Pressure	2 ÷ 10 bar	
Temperature range	-30°C ÷ +80°C (standard)	-20°C ÷ +150°C (V)
Materials	Heads: Tube: Rod: Anti-rotating plate: Seals:	Anodised aluminium Anodised aluminium Stainless steel AISI303 Anodised aluminium Polyurethane - Aluminium piston

Bore (mm)	Standard strokes CD (mm)	Standard strokes CDN (mm)	Max stroke (mm)	Number of grooves for the sensors
12	5, 10, 15, 20, 25, 30, 40, 50, 60, 70, 80, 90, 100	—	See table standard stroke	3
16	5, 10, 15, 20, 25, 30, 40, 50, 60, 70, 80, 90, 100, 125	5, 10, 15, 20, 25, 30, 40, 50, 60, 70, 80, 90, 100, 125		
20	5, 10, 15, 20, 25, 30, 40, 50, 60, 70, 80, 90, 100, 125, 160	5, 10, 15, 20, 25, 30, 40, 50, 60, 70, 80, 90, 100, 125, 160		
25				
32	5, 10, 15, 20, 25, 30, 40, 50, 60, 70, 80, 90, 100, 125, 160, 200	5, 10, 15, 20, 25, 30, 40, 50, 60, 70, 80, 90, 100, 125, 160, 200		
40	5, 10, 15, 20, 25, 30, 40, 50, 60, 70, 80, 90, 100, 125, 160, 200, 250	5, 10, 15, 20, 25, 30, 40, 50, 60, 70, 80, 90, 100, 125, 160, 200, 250		
50				
63	10, 15, 20, 25, 30, 40, 50, 60, 70, 80, 90, 100, 125, 160, 200, 250	10, 15, 20, 25, 30, 40, 50, 60, 70, 80, 90, 100, 125, 160, 200, 250	7	
80				
100				

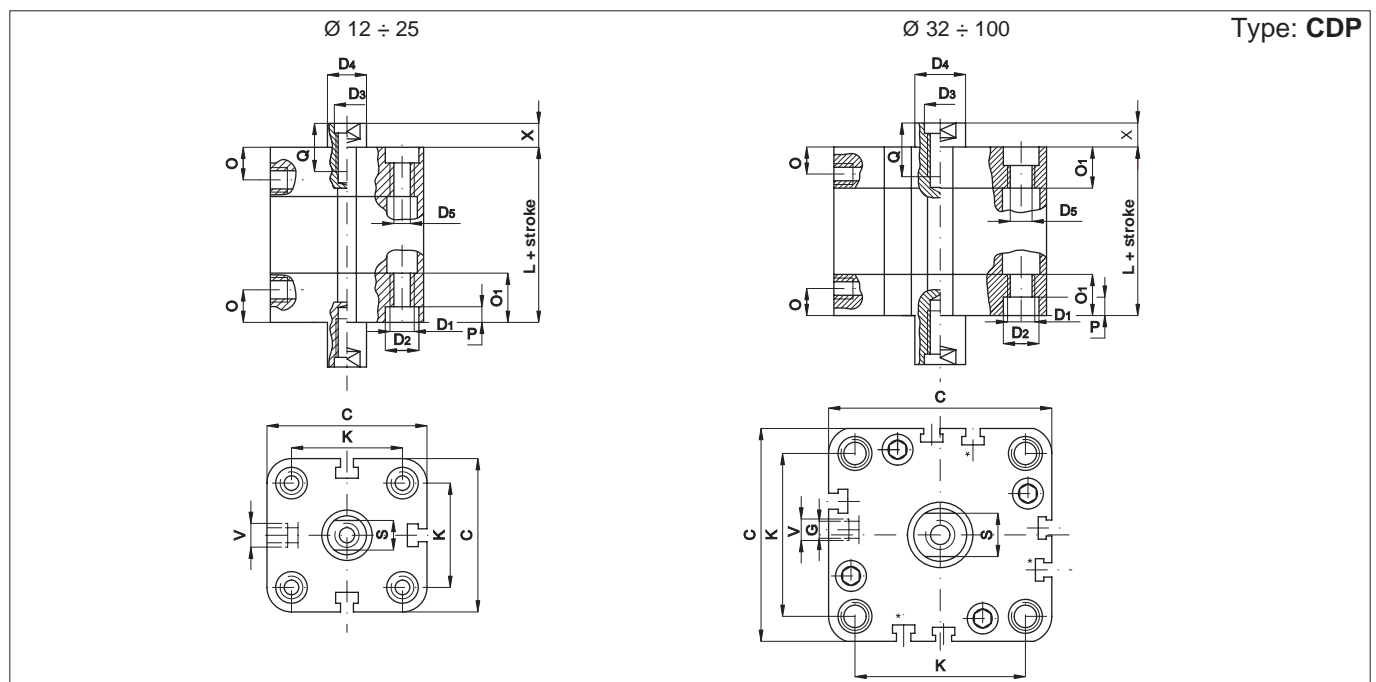
See page 1.1.3 to calculate the cylinder force.

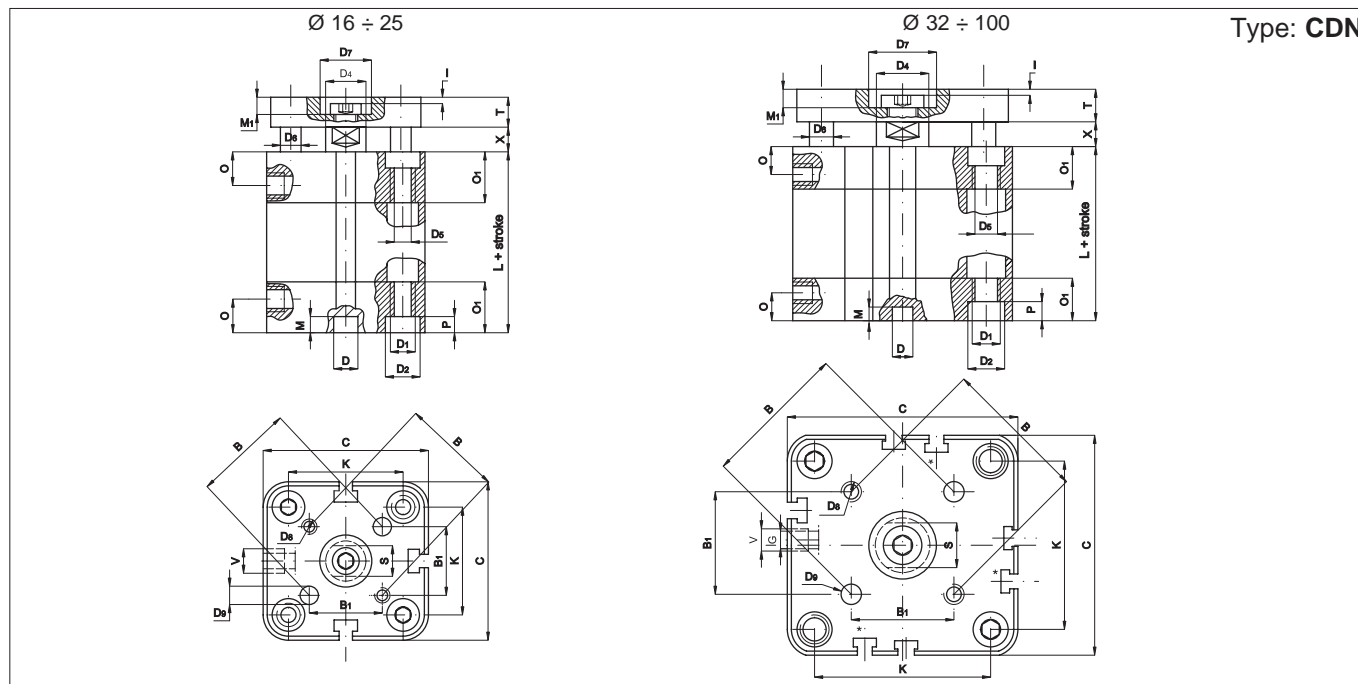
Should you require intermediate strokes, the overall dimensions of the cylinder body will be those of the cylinder of the following standard stroke (in fact the intermediate stroke is obtained applying a distance).





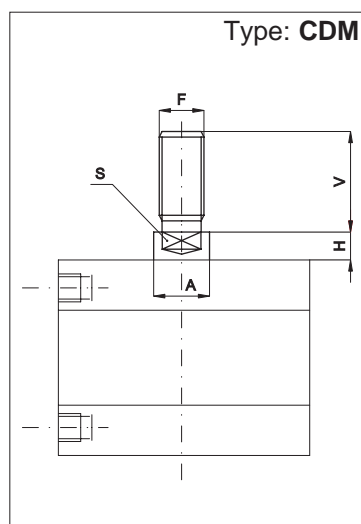
Ø mm.	C	D Ø	D1 Ø	D2 Ø	D3 Ø	D4 Ø	D5 Ø	G	V	O	O1	K	S	P	M	Q	X	L
12	29	6	M4	6	M3	6	3,3	0	M5	8	12,25	18	5	3,5	4	6	4,5	38
16	29	6	M4	6	M4	8	3,3	0	M5	8	12,25	18	6	3,5	4	8	4,5	38
20	36	6	M5	7,5	M5	10	4,2	0	M5	8	12,25	22	8	4,5	4	10	4,5	38
25	40	6	M5	7,5	M5	10	4,2	0	M5	8	12,75	26	8	4,5	4	10	5,5	39,5
32	50	6	M6	9	M6	12	5,2	4	1/8"	8	14,5	32	10	5,5	4	12	6	44,5
40	58	6	M6	9	M6	12	5,2	3	1/8"	8	14,75	42	10	5,5	4	12	6,5	45,5
50	67	6	M8	10,5	M8	16	6,7	0	1/8"	8	14,75	50	13	6,5	4	12	7,5	45,5
63	80	8	M10	13,5	M8	16	8,5	0	1/8"	8	14,25	62	13	8,5	4	14	7,5	50
80	100	8	M10	13,5	M10	20	8,5	0	1/8"	8,5	16	82	17	8,5	4	15	8	56
100	124	8	M10	13,5	M12	25	8,5	0	1/4"	10,5	19,25	103	22	8,5	4	20	10	66,5





Type: **CDN**

Ø mm	C	D	D ₁	D ₂	D ₄	D ₅	D ₆	D ₇	D ₈	D ₉	G	V	O	O ₁	K	B	B ₁	S	P	M	M ₁	I	T	X	L
16	29	6	M4	6	8	3,3	5	9	M3	3	0	M5	8	12,25	18	14	9,9	6	3,5	4	3,8	1	6	4,5	38
20	36	6	M5	7,5	10	4,2	5	11	M4	4	0	M5	8	12,25	22	17	12	8	4,5	4	5	1,5	8	4,5	38
25	40	6	M5	7,5	10	4,2	6	14	M5	5	0	M5	8	12,75	26	22	15,6	8	4,5	4	5	1,5	8	5,5	39,5
32	50	6	M6	9	12	5,2	8	17	M5	5	4	1/8"	8	14,5	32	28	19,8	10	5,5	4	6,5	2,5	10	6	44,5
40	58	6	M6	9	12	5,2	10	17	M5	5	3	1/8"	8	14,75	42	33	23,3	10	5,5	4	6,5	2,5	10	6,5	45,5
50	67	6	M8	10,5	16	6,7	10	22	M6	6	0	1/8"	8	14,75	50	42	29,7	13	6,5	4	7,5	2,5	12	7,5	45,5
63	80	8	M10	13,5	16	8,5	10	22	M6	6	0	1/8"	8	14,25	62	50	35,4	13	8,5	4	7,5	2,5	12	7,5	50
80	100	8	M10	13,5	20	8,5	14	28	M8	8	0	1/8"	8,5	16	82	65	46	17	8,5	4	9	3	14	8	56
100	124	8	M10	13,5	25	8,5	14	30	M10	10	0	1/4"	10,5	19,25	103	80	56,6	22	8,5	4	10	3	14	10	66,5



Type: **CDM**

Ø mm	A	V	F	S	H
12	6	16	M6	5	4,5
16	8	20	M8	6	4,5
20	10	22	M10x1,25	8	4,5
25	10	22	M10x1,25	8	5,5
32	12	22	M10x1,25	10	6
40	12	22	M10x1,25	10	6,5
50	16	24	M12x1,25	13	7,5
63	16	24	M12x1,25	13	7,5
80	20	32	M16x1,5	17	8
100	25	40	M20x1,5	22	10

Seal kit.

Here are the quantities and the description of the components comprised in each kit.

Description	N°	CD	CDN
Rod seal	1	•	•
Tube O-ring	2	•	•
Lip seal	2	•	•

The magnetic ring to be ordered separately.

How to order: 32 / SG / CDP

32	/	SG	/	CD	P
Bore	/	Series of seal	/	Type	Option

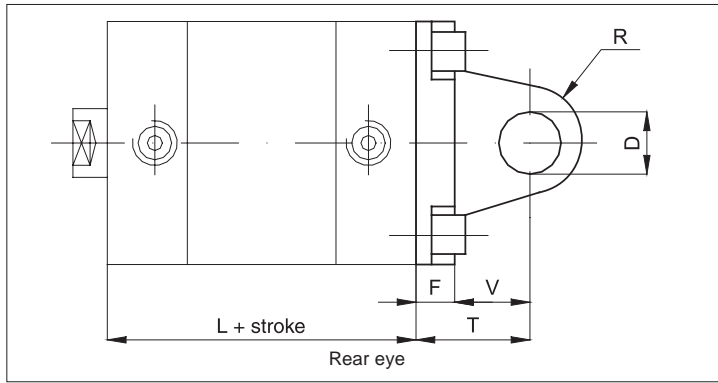
The seal kit for the cylinders in non-standard executions is to be composed according to the option.



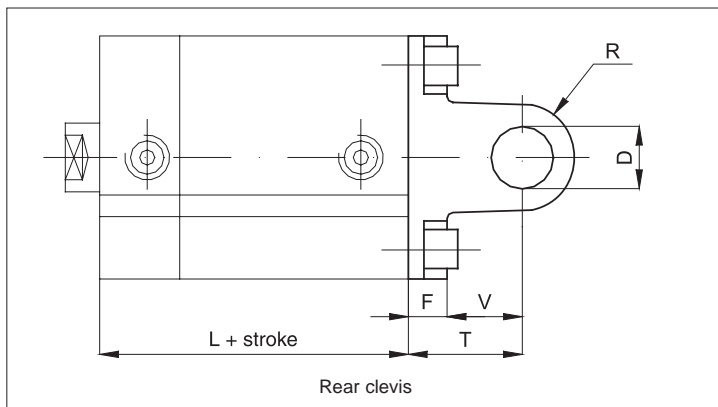
Compact Cylinders UNITOP

Bores from 12 to 100 mm

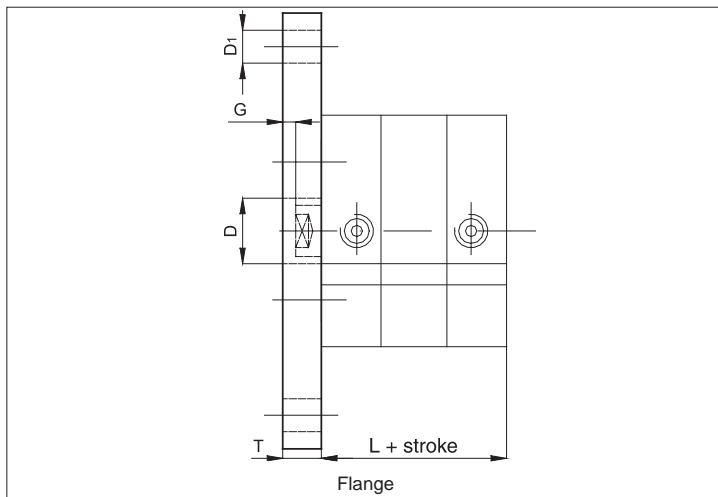
Double acting



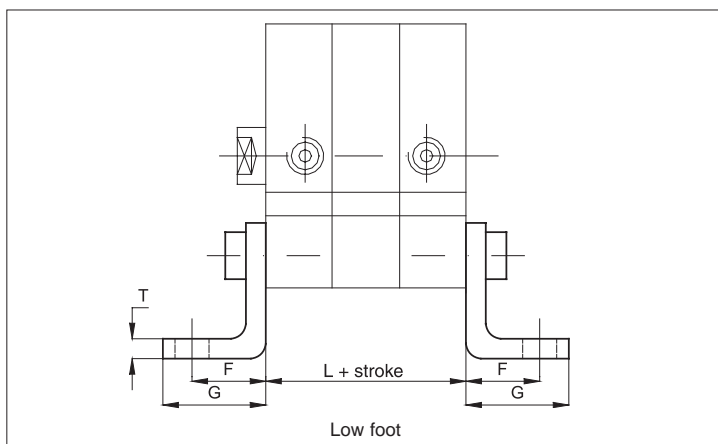
Ø mm	F	V	T	D	R	L
12	6	10	16	6	6	38
16	6	10	16	6	6	38
20	6	14	20	8	8	38
25	6	14	20	8	8	39,5



Ø mm	F	V	T	D	R	L
32	9	13	22	10	10	44,5
40	9	16	25	12	12,5	45,5
50	11	16	27	12	12,5	45,5
63	11	21	32	16	15	50
80	13	23	26	16	15	56
100	15	26	41	20	20	66,5



Ø mm	F	V	T	D	R
12	5,5	10	5,5	10	38
16	5,5	10	5,5	10	38
20	5,5	10	6,5	12	38
25	4,5	10	6,5	12	39,5
32	4	10	7	14	44,5
40	3,5	10	9	14	45,5
50	4,5	12	9	18	45,5
63	7,5	15	9	18	50
80	7	15	12	23	56
100	5	15	14	28	66,5



Ø mm	F	V	T	D	R
12	13	17,5	3	38	38
16	13	17,5	3	38	38
20	16	22	4	38	38
25	16	22	4	39,5	39,5
32	18	26	5	44,5	44,5
40	20	28	5	45,5	45,5
50	24	32	6	45,5	45,5
63	27	39	6	50	50
80	30	42	8	56	56
100	33	45	8	66,5	66,5

For dimensions and codes of the accessories see page 1.100.1.