

Suction Filter

Pi 1710

Nominal size up to 480

1. Description

Pumps incorporated in hydraulic systems must be protected from coarse contaminants which when not removed by any other filtering devices and may gain access to the tank.

MAHLE suction filters, series Pi 1710, stand out for their rugged construction and large filter surface area.

The filter surface area is dimensioned to ensure long life at the proper corresponding flow rate.

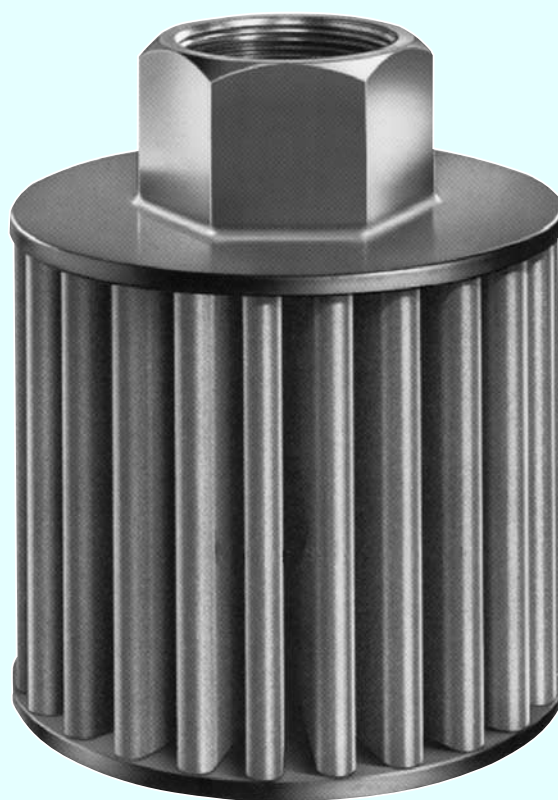
The installation should be ahead of the pump in the tank for optimal protection.

The standard filter material is a 100 micron stainless steel wire mesh.

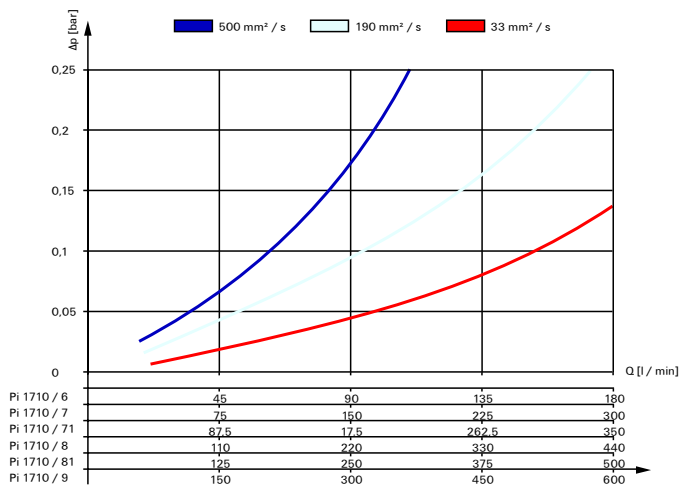
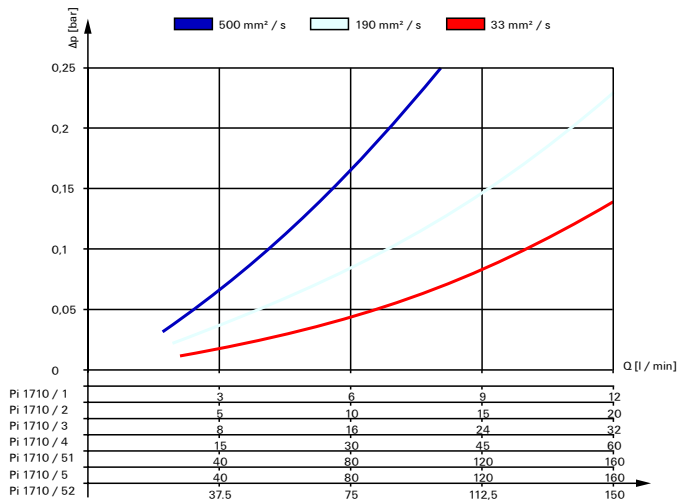
- rugged construction
- large filtering surface area
- world-wide sales activities

2. Specifications

Flow capacity:	10 to 480 l/min at 33 mm ² /s viscosity and 0,1 bar Δp
Temperature range: (other temperatures on request)	-10 bis +120 °C
Degree of filtration:	100 micron
Other ratings:	on request
Connecting port+end cap material of:	GD – Z 410, up NG 150: PA 6 GF 30
Material of end cap:	galvanized steel
Material of inner tube:	galvanized steel
Material of wire mesh:	stainless steel 1.4301



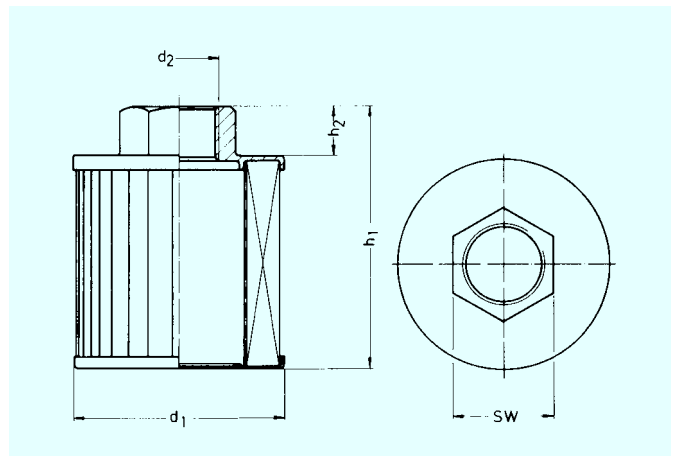
3. Flow rate/pressure drop curve



5. Order numbers

Order number	Type number	Nominal Size NG	Filter surface area [cm²]
766.159.8	Pi 1710/1	10	90
766.160.6	Pi 1710/2	15	115
766.161.4	Pi 1710/3	30	170
766.162.2	Pi 1710/4	50	420
766.169.7	Pi 1710/51	60	500
766.163.0	Pi 1710/5	80	670
766.170.5	Pi 1710/52	120	900
766.164.8	Pi 1710/6	150	1120
766.165.5	Pi 1710/7	240	1500
766.168.9	Pi 1710/71	290	1800
766.166.3	Pi 1710/8	360	2800
766.171.3	Pi 1710/81	410	3500
766.167.1	Pi 1710/9	480	3500

4. Dimensions



Dimension	Dimensions [mm]					Weight [kg]
	d ₁	d ₂	h ₁	h ₂	SW	
Pi 1710/1	46	G ¼	60	18	22	0,05
Pi 1710/2	46	G ⅜	60	18	22	0,10
Pi 1710/3	61	G ½	53	13	27	0,15
Pi 1710/4	61	G ¾	89	16	36	0,20
Pi 1710/51	87	G 1	87	21	41	0,30
Pi 1710/5	87	G 1	108	21	41	0,40
Pi 1710/52	87	G 1	152	21	41	0,45
Pi 1710/6	98	G 1¼	122	21	46	1,05
Pi 1710/7	98	G 1½	159	28	50	1,05
Pi 1710/71	98	G 1½	189	28	50	1,10
Pi 1710/8	131	G 2	161	30	65	1,2
Pi 1710/81	131	G 2	191	30	65	1,4
Pi 1710/9	131	G 2½	198	37	80	1,5

6. Cleaning Methods

Ultrasonic cleaning

Insert the contaminated suction filter element into an ultrasonic bath for approx. 3 minutes; then rinse in clean liquid. Afterwards, blow air into the filter from the clean side outward. The cleaning effect is approx. 80–90%.

Manual cleaning

1. Remove coarse external contamination in a separate cleaning tank using a brush and cleaning agent.
2. Place filter in unused cleaning liquid (approx. 20 min.)
3. Wash filter with cleaning liquid from the inside to the outside.

The cleaning effect is approx. 60–70%.

Using either method be sure that no dirt gained access to the inside of filter.



ul. A. Struga 10a, 70-777 Szczecin
tel. : +48 +91 4640 641
fax : +48 +91 4627 359
www.phu-nova.eu
e-mail: nova@phu-nova.eu